

CONSERV RO-200U REVERSE OSMOSIS SYSTEM

Efficient and flexible with blending for different food service applications



Everpure RO-200U Reverse Osmosis System

Model and Part Number

Everpure RO-200U Reverse Osmosis System	SA31207
4FC-CN Fibredyne cartridge	SA21039
Everpure reverse osmosis membrane	SA21035
Phosphate cartridge LSY-5	SA21036

Features • Benefits

- Patented quick-change filter cartridge replacement
- Satisfies the demands of various water consumption equipment
- High water efficiency water yield up to 60%
- Reduces the downtime and additional maintenance costs caused by scale, and lowers the energy consumption
- Reduces chlorine taste and odor that affect the taste of water and beverages

Installation tips

- The feed water source must be chlorinated municipal tap water
- Select a mounting location capable of supporting the 15kg operating weight of the system
- A minimum 3/8" (9.5mm) water pipe is recommended before the machine is connected
- Allow 20cm clearance below the cartridge for easy cartridge replacement and system maintenance.
- The material of the water production pipes/tubes and related components connected to the water outlet of the reverse osmosis system shall be suitable for high-purity water
- Please read the product manual and conduct filter cartridge flushing and activation as per the detailed installation steps in the manual

Operation tips

- Recommended to replace the 4FC-CN cartridge every 6-12 months
- Recommended to replace the LSY-5 phosphate scale inhibition cartridge every 1-2 year
- Recommended to replace the reverse osmosis membrane every 1-2 year
- Please replace filter cartridge regularly to ensure safe water quality
- Flushing and activation must be performed in accordance with the product manual every time after a filter cartridge is installed or replaced

Applications

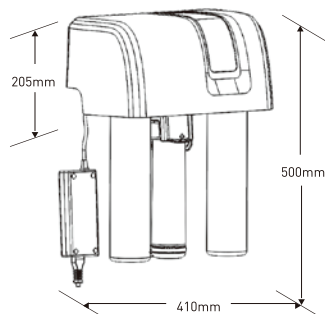
Coffee machines, steamers, combination ovens and ice machines

Capacity:

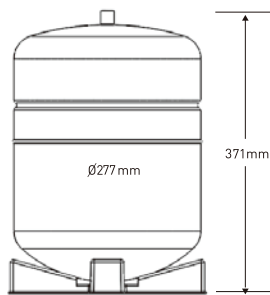
RO water: up to 200GPD

Blended water: up to 400GPD

CONSERV RO-200U REVERSE OSMOSIS SYSTEM



Everpure RO-200U
Reverse Osmosis System



Water tank

Specifications

Model and Part Number	Everpure RO-200U Reverse Osmosis System SA31207
Overall dimension (mm)	410x205x500
Tank size (mm)	∅ 277x371
MOH rated flow rate (L/min)	When blending valve is closed, only RO water is produced: 0.425 When blending valve is open, blended water is produced: 0.85
MOH rated capacity (L)	When blending valve is closed, only RO water is produced: 5500 When blending valve is open, blended water is produced: 5500
Maximum working water pressure	Range of working pressure: 51 - 108 PSI Range of feed water pressure: 29 - 50 PSI
Temperature	Ambient temperature: 2-40°C Feed water temperature: 5-38°C
Shipping weight (kg)	15
Operating weight (kg)	15
Voltage and power cords	220V~/50Hz
Water inlet/outlet	1/4"OD
Waste water pipe	1/4"OD
Feed water flow	To be determined depending on the equipment's tank pressure and water pipe size

Note: All pollutants removed by this drinking system are unwanted substances in water. Do not use water that is contaminated by microorganisms or has not been adequately sterilized and without quality guarantee before or after the system. In the case where the sterilized water contains filterable cysts, a system capable of removing cysts may be selected.

Warranty

The warranty period is one year from the date of purchase. The limited warranty scope covers non-human defects of the product, and the warranty service is provided only to the first purchaser and installer. The manufacturer is not liable for any man-made damage.



Pentair Offices in South East Asia

Singapore

390 Havelock Road
#04-01 King's Centre
Singapore 169662
Tel: +6567685900

Thailand

16th Floor, The Ninth Towers
Grand RAMA 9, Tower B
33/4 Rama 9 Road, Huaykwang
Bangkok 10310, Thailand
Tel: +6621681092

Philippines

5th Floor MAIA Suites
1747 Nicanor Garcia Street corner
D.Oliman Street Makati City, Philippines
Tel: +632824 3825

All Pentair trademarks and logos are owned by Pentair. All other brands or product names are trademarks or registered marks of their respective owners. Because we are continuously improving our products and services. Pentair reserves the right to change specifications without prior notice. Pentair is an equal opportunity employer.

©2022 Pentair. All Rights Reserved.